

# Parts Manufacturing Machines

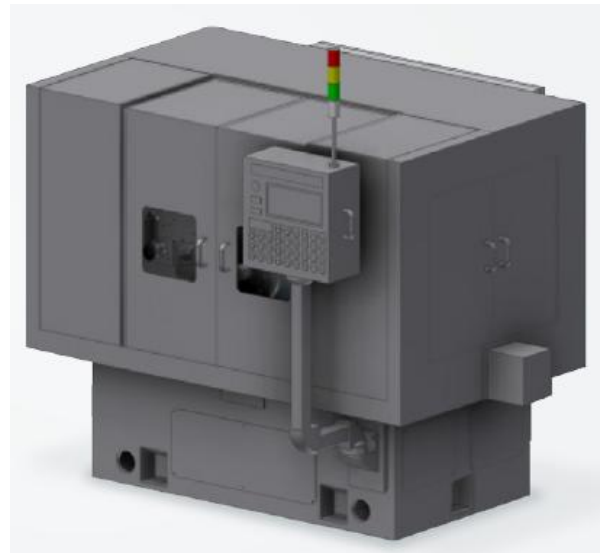
## - Grinding Machine

### Grinding Machine

#### ◆ Rib Grinding Machine (SGTR-200)

- ✓ Grinding Type: NC Controlled Plunge
- ✓ Workpiece Mounting  
: Two-shoe & Magnet chuck
- ✓ Machining Dia. Range: 30 – 100
- ✓ Machining Width Range: 10 – 55
- ✓ Loading: Single or double arm type
- ✓ Dresser: Point traverse type
- ✓ Spindle Angle Range: 0 to +25°
- ✓ Grinding Spindle  
: High frequency spindle or belt spindle
- ✓ Spindle Height: About FL 11000
- ✓ Work Spindle RPM: 400 – 1200rpm
- ✓ Stone Spindle RPM: Max. 9000rpm
- ✓ G.W.: 160(OD) x 12(W) x 50.8(B)mm
- ✓ G.W. Table: AC Servo 1.5kW
- ✓ Dress Table: AC Servo 1.5kW
- ✓ Spindle Drive: 1.5kW 4P AC motor

*Equipment Image*



#### ◆ Grinding Machine for T/R (SGRB-350(250))

- ✓ Machining Type  
: Pressing upper ring + Lower ring,  
Idle carrier
- ✓ Machining Dia. Range  
: 5 – 25 (4 – 15)
- ✓ Machining Length Range  
: 10 – 45 (6 – 30)
- ✓ R Range: Max. R350 (R50 – 230)
- ✓ Speed Control  
: Differential drive gear
- ✓ Main Spindle  
: 100 – 400 (165 – 650)rpm
- ✓ Carrier Speed: 1.5 – 9rpm
- ✓ Pressing Power  
: Max. 2500kg (Max. 1500kg)
- ✓ Main Motor  
: 11kW 6P (5.5kW 4P) AC motor
- ✓ Differential Motor  
: 0.4kW 4P stepless

*Equipment Image*



# Parts Manufacturing Machines

## - Grinding Machine

### Grinding Machine

#### ◆ Screw Grinding Machine (SGS-1000)

- ✓ Machining Type: Plunge
- ✓ Workpiece Mounting  
: Center (BRG. Housing support)
- ✓ Machining Dia. Range: Max. 350
- ✓ Machining Length Range  
: Max. 950 (G/W width: based on 50)
- ✓ Pitch Range: 0 – 360
- ✓ Loading: Manual
- ✓ Dresser  
: 2-Axis point (rotary) diamond dresser
- ✓ G.W. Tilting:  $\pm 40^\circ$
- ✓ G.W. Diameter  
: O.D.  $\varnothing 500$ , I.D.  $\varnothing 203$  (max. 50W)
- ✓ Work Spindle Speed: 0.2 – 100rpm
- ✓ Dress Feed Slide Stroke: 80mm

#### Equipment Image



#### ◆ Vertical Double Disc Grinding (SGDV-585)

- ✓ Grinding Type: Rotary Carrier
- ✓ Machining Dia. Range  
: Max. 135
- ✓ Machining Width Range  
: Max. 50
- ✓ G.W.: 585(OD) x 75 (W) x 195(B)
- ✓ Wheel Speed: 300 – 900rpm
- ✓ Carrier Size: O.D. 820
- ✓ Carrier Speed: 0 – 10rpm
- ✓ Space Between Wheels: 80
- ✓ Dresser  
: Swing arm type point dresser
- ✓ G.W. Motor: 22kW 4P
- ✓ Carrier Motor: Hydraulic
- ✓ G.W. Feed Motor: 2.0kW AC servo

#### Equipment Image



# Parts Manufacturing Machines

## - Grinding Machine

### Grinding Machine

#### ◆ Vertical Double Disc Grinding (SGDV-360)

- ✓ Grinding Type: In-feed
- ✓ Machining Dia. Range: Max. 60
- ✓ Machining Width Range: Max. 40
- ✓ G.W.  
: 355(305)(OD) x 205 x 50T(CBN: 3T)
- ✓ Wheel Speed  
: Max. 1800rpm (inverter C.W. / C.C.W.)
- ✓ Loading: Swing arm (carrier)
- ✓ Space Between Wheels: 100
- ✓ Dresser: Rotary dresser
- ✓ G.W. Motor: 7.5kW 4P x 2 sets
- ✓ R/D Rotating: 0.9kW speed variable
- ✓ Index Carrier: 1.0kW AC servo
- ✓ Work Drive: 0.4kW AC servo x 2 sets
- ✓ G.W. Feed: 0.4kW AC servo x 2 sets
- ✓ Loading: 0.5kW AC servo

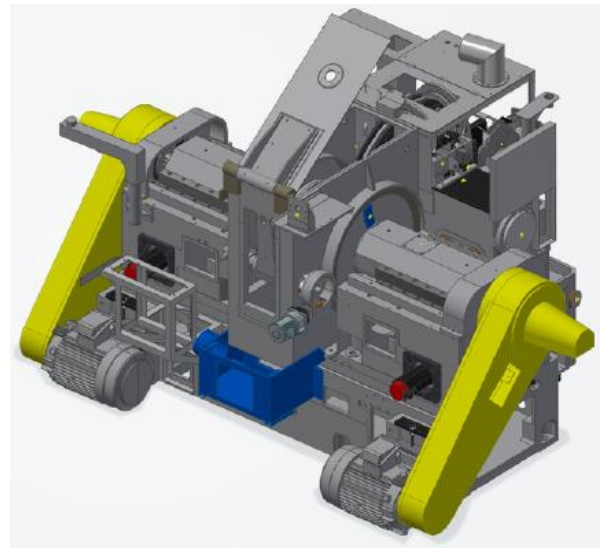
#### Equipment Image



#### ◆ Horizontal Double Disc Grinding (SGDH-760)

- ✓ Grinding Type  
: Rotary carrier or Through-feed
- ✓ Machining Dia. Range: Max. 180
- ✓ Machining Width Range: Max. 70
- ✓ G.W.: 760(O.D.) x 80 x 270
- ✓ Wheel Speed: Max. 700rpm
- ✓ Carrier Size: Max. 1050
- ✓ Carrier Speed: 0.5 – 3rpm
- ✓ Space Between Wheels: 130
- ✓ Dresser: Swing arm type point dresser
- ✓ G.W. Motor : 30kW 4P
- ✓ Carrier: 0.75kW 4P
- ✓ Dresser: 0.1kW 4P (speed control)
- ✓ G.W. Feed: 1.0kW AC servo
- ✓ G.W. Cover: 0.1kW 4P

#### Equipment Image





## **LPR Global, Inc.**

344 Bloor Street W, Suite #607 Toronto, ON M5S 3A7 Canada

[www.lprglobal.com](http://www.lprglobal.com) | [www.uskoreahotlink.com](http://www.uskoreahotlink.com)

Tel: +1 416-423-5590

E-Mail: [info@lprglobal.com](mailto:info@lprglobal.com)

